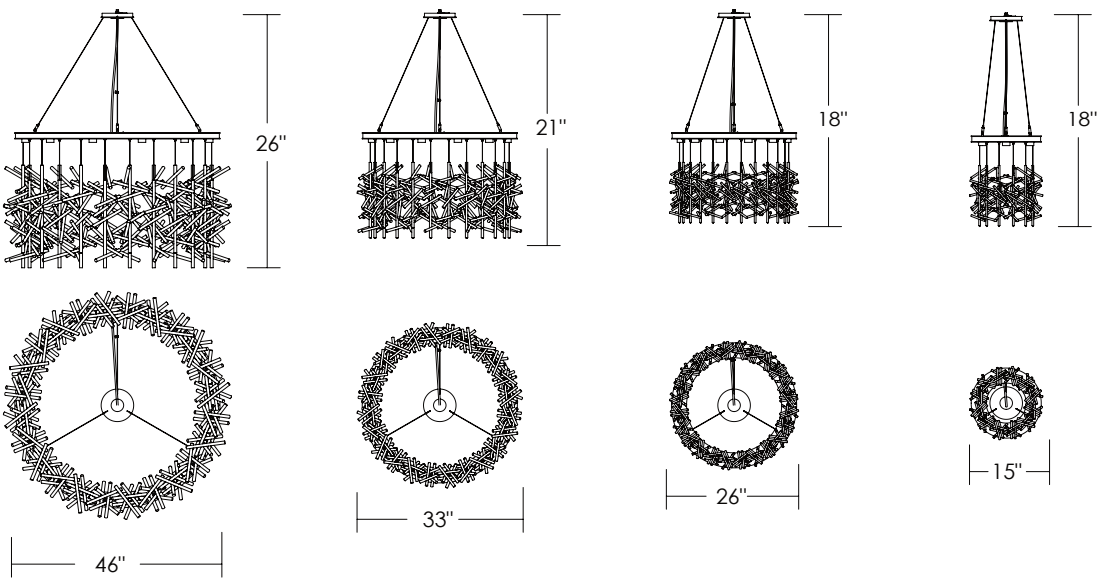


STIX PENDANT



Stix Pendant Configurations



(continued on next page)

11828 NE 112th Street
Kirkland, WA 98033
(tel) 425.823.4560 / 800.755.0471
(fax) 425.823.8654
sales@charlesloomis.com
www.charlesloomis.com

June 2009

CHARLES LOOMIS, INC.
Loomis

STIX PENDANT MOUNT

Stix Pendant Specifications



Dimensions:

	Diameter:	Height:
P14	15"	18"
P25	26"	18"
P31	33"	21"
P41	46"	26"

Overall Drop:

Adjustable

Material/Finishes:

Metal:

Stainless Steel Polished CL435

Diffusers:

P14: (12) Clear Glass 9mm "Stix"
P25: (24) Clear Glass 9mm "Stix"
P31: (24) Clear Glass 12mm "Stix"
P41: (24) Clear Glass 15mm "Stix"

Supply Voltage:

120V

Listing:

UL or ETL Dry Location

Mounting:

Fixtures over 50 lbs Require Additional Support in Ceiling

Fixture Weights:

P14 = 20 lbs.
P25 = 35 lbs.
P31 = 51 lbs.
P41 = 85 lbs.

Lamping (Included):

P15: (6) 20W MRC11
P25: (12) 20W MRC11
P31, P41: (24) 20W MRC11

General Notes:

FOB - Kirkland, WA

Designed by Charles Loomis

Contact:

sales@charlesloomis.com
425.823.4560
800.755.0471

Please contact your local Representative for pricing and availability.