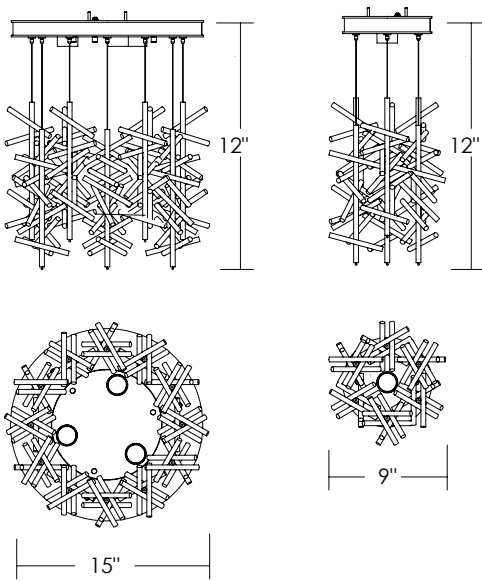


STIX CEILING MOUNT



Stix Ceiling Mount Configurations



(continued on next page)

11828 NE 112th Street
Kirkland, WA 98033
(tel) 425.823.4560 / 800.755.0471
(fax) 425.823.8654
sales@charlesloomis.com
www.charlesloomis.com

June 2009

CHARLES LOOMIS, INC.
Loomis

STIX CEILING MOUNT

Stix Ceiling Mount Specifications



Stix CM14

Dimensions:

	Diameter:	Height:
CM6.5	9"	12"
CM14	15"	12"

Overall Drop:

Adjustable

Material/Finishes:

Metal:

Stainless Steel Polished CL435

Diffusers:

CM6.5:
(6) Clear Glass "Stix"
CM14:
(12) Clear Glass "Stix"

Lamping (Included):

Halogen

CM6.5: (1) 20W MRC11
CM14: (3) 20W MRC11

Supply Voltage:

120V

Listing:

UL or ETL Dry Location

Mounting:

Direct to Junction Box

Fixture Weights:

CM6.5 = 10 lbs.
CM14 = 20 lbs.

General Notes:

FOB - Kirkland, WA

Designed by Charles Loomis

Individual Glass "Stix" may be arranged in a staggered pattern or they may be aligned in straight rows. The height is determined by how the "Stix" are arranged on the fixture.

Contact:

sales@charlesloomis.com
425.823.4560
800.755.0471

**Please contact your local
Representative for pricing and
availability.**